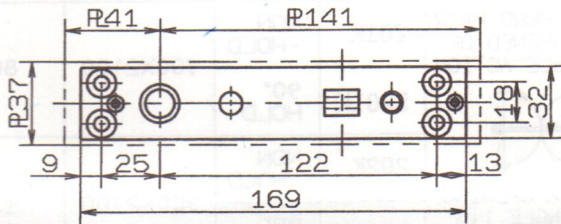
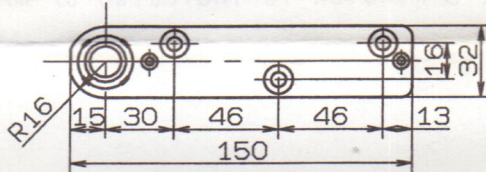


Top pivot(upper frame side)



Top pivot(door side)

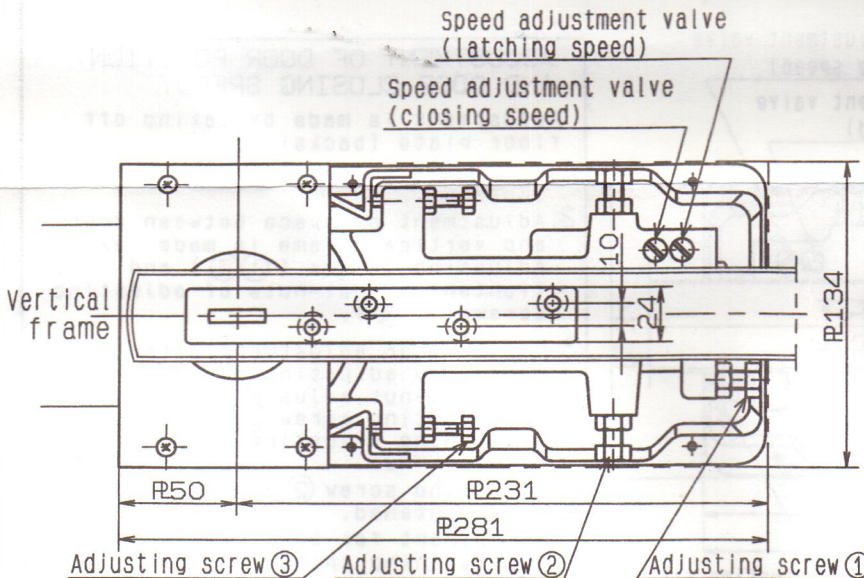
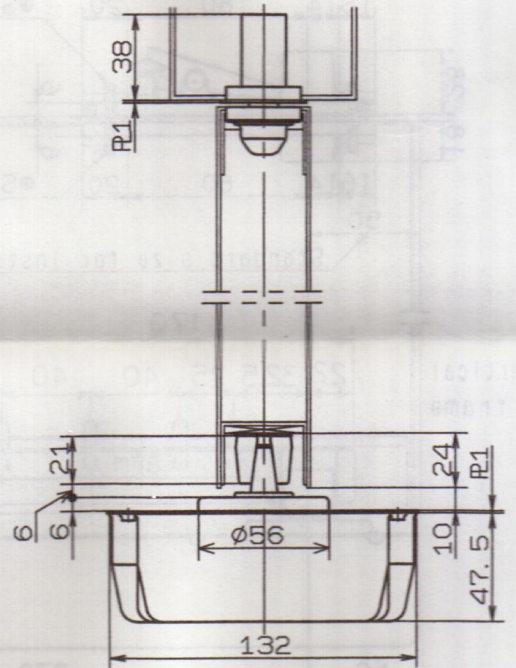
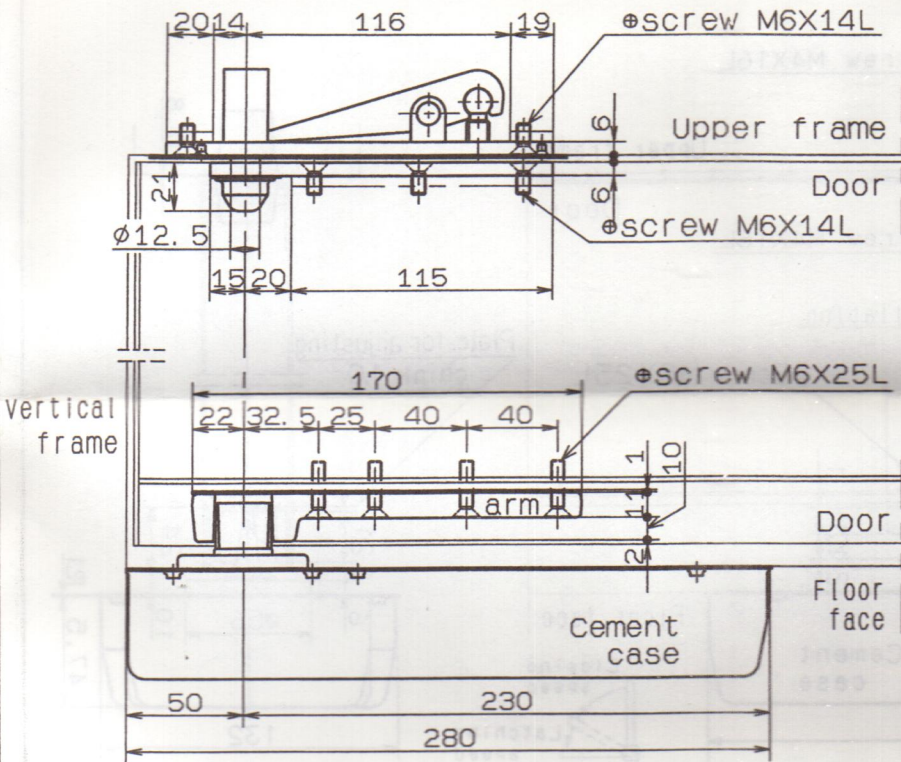
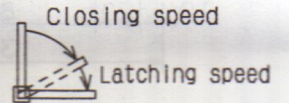


OPENING SYSTEM OF DOOR	MODEL NUMBER		FITTING SIZE AND WEIGHT	
			WIDTH X HEIGHT (mm)	DOOR WEIGHT (kg)
CENTER HUNG PAIR DOORS OPENED OF IN DOUBLE ACTION MAXIMUM OPENING ANGLE 113° HOLD OPEN ANGLE 90°	203K	NON-HOLD	950X2100	180
	S203K	90° HOLD		

NOTE

TO PROTECT ANY PRODUCT DAMAGE DURING OPERATIONS FOLLOW THE INSTRUCTIONS BELOW WHEN 203K/S203K FLOOR HINGE IS APPLIED TO DOOR OVER 150KGS DOOR WEIGHT.

- 1 Adjust 1st closing speed over 4 seconds during 1st closing speed range.
- 2 Do not adjust latching speed(2nd closing speed) extremely slower than closing speed.
- 3 Use door stopper at maximum door opening position.



ADJUSTMENT OF DOOR POSITION AND DOOR CLOSING SPEED.

Adjustment is made by taking off floor plate (backside)

1. Adjusting screws (①②③) are loosened.
2. Adjustment of space between door and vertical frame is made by adjusting screws (①③), and tightening lock-nuts of adjusting screws (①③)
3. Adjustment of closing position of door is made by adjusting screw ② after loosening adjusting screw ③
4. Adjusting screw ③ and its lock-nut are tightened.
5. Adjusting screw ② and its lock-nut are tightened.
6. Adjustment for both closing speed and latching speed is made by turning valves clockwise for slower speed and turning unclockwise for faster speed.

Dimension is indicated by m/m unit